

READY 
TO RACE



**THE NEXT ERA
IN hardcore
ADVENTURE TRAVEL**

KTM 390 ADVENTURE

KTM



FOR THE **ADVENTURE TOURER** IN YOU

When you set out on an adventure, you seek a machine as **versatile as your ambition**. You need **precision, power, and advanced tech** that work with you. The **KTM 390 ADVENTURE & KTM 390 ADVENTURE X** are built for riders who demand more than just a **casual adventure machine**. With **rally-inspired performance and class-leading electronics**, these machines are built for **hardcore adventure travel**.

WHAT'S NEW?

KTM 390 ADVENTURE

| All-New Adventure Platform

Built with
99% new components.

| Higher Ground Clearance - 237mm, for effortless off-road navigation.

| 21"/17" Tubeless Spoke Wheels

Ensures superior traction
across tough terrains.

| Advanced Electronics Package

Cornering MTC, Quickshifter+,
3 Ride modes, Cruise Control,
Cornering ABS, Off-road ABS.

| 399cc LC4c engine More Torque & Power

delivers **39 Nm @ 6500 rpm**
and **46 PS @ 8500 rpm.**

| Adjustable WP APEX Suspension

30-clicks front and **20-clicks rear**
adjustability.

| Ergonomic Comfort - 830mm seat height,

Designed to adapt to riders
of all sizes, delivering all-day
comfort.



WHAT'S NEW?

KTM 390 ADVENTURE X



| Rally-Inspired Bodywork

Inspired by KTM's Dakar racing heritage.

| Advanced Electronics Package

Adventure-ready with Quickshifter+, Offroad ABS, Ride-by-wire & LED projector headlamps

| Ergonomic Comfort - 825mm seat height,

for enhanced rider confidence.

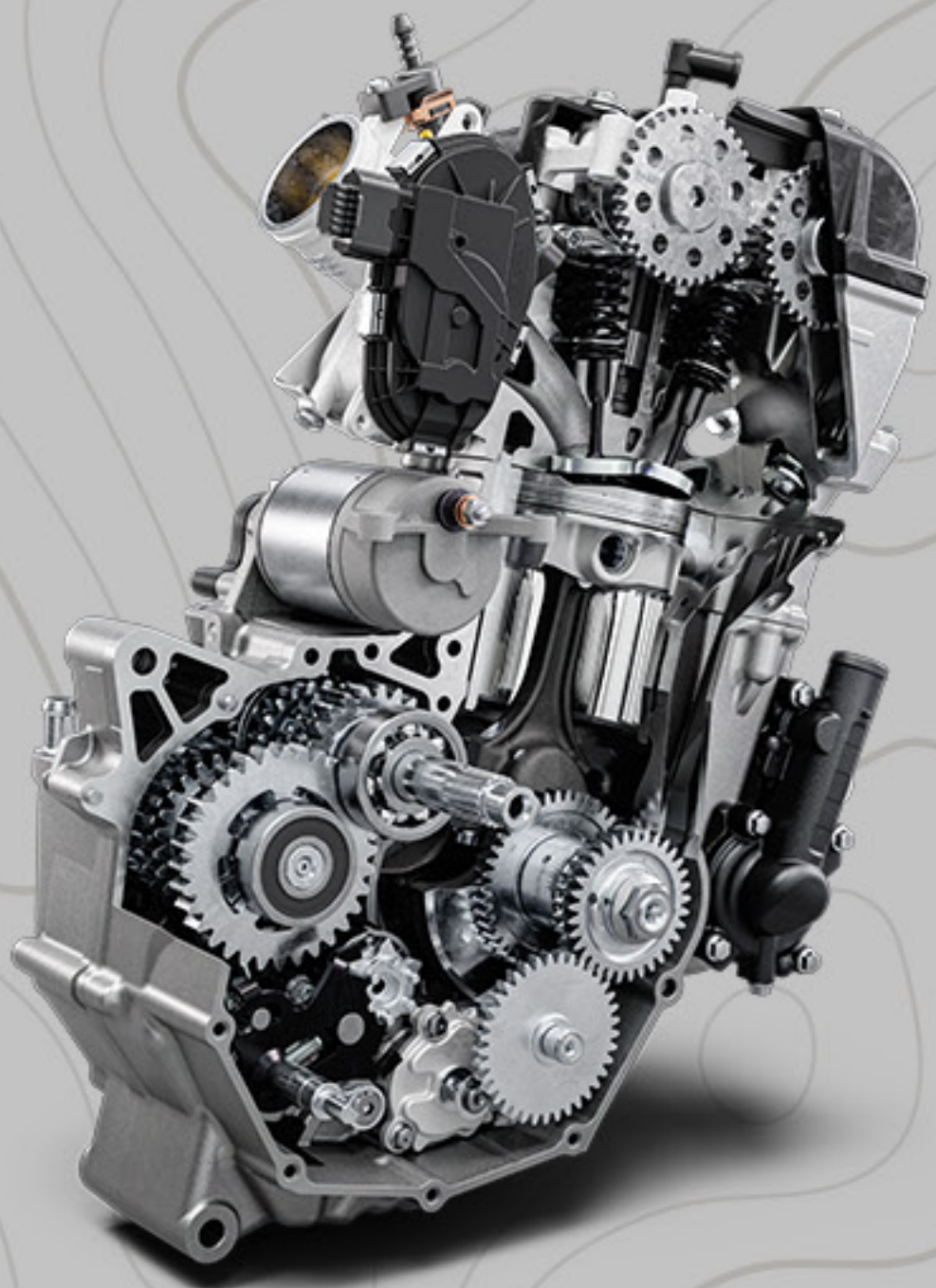
| 19"/17" Tubeless Alloy Wheels

Designed for mixed terrain stability and control.

| 5" TFT Display with KTM Connect

Turn-By-Turn Navigation, call, and music integration.

PERFORMANCE



399cc LC4c Engine – More Torque, More Power

It Boasts increased low-end torque of **39 Nm @ 6500 rpm** and enhanced power of **46 PS @ 8500rpm.**

Refined Ride-by-Wire Throttle ensures smooth, precise power delivery.



QUICKSHIFTER+

Quickshifter+ – Clutchless Gear Changes

Clutchless upshifts for seamless acceleration, while the **slipper clutch** ensures smoother downshifts and enhanced control.



SUSPENSION & HANDLING



KTM 390 ADVENTURE

Fully Adjustable WP APEX Suspension

Front: 43mm WP APEX inverted forks with adjustable for 30 clicks Compression and Rebound damping.

Rear: WP APEX monoshock Adjustable for 20-clicks Rebound damping & 10-steps preload adjustment.

Longer travel suspension ensuring superior control, comfort, and adjustability on any terrain.

Adventure-Ready

21"/17" Tubeless Spoke wheels for superior off-road adaptability.

KTM 390 ADVENTURE X

Preload Adjustable WP APEX Suspension

Longer travel suspension of 200 mm front and 205 mm rear for optimum comfort, control, and capability.

Touring-Ready

19"/17" Tubeless Alloy wheels for superior road handling for long-haul touring, while remaining agile & capable for light off-road adventures.



ELECTRONICS & CONNECTIVITY

KTM 390 ADVENTURE

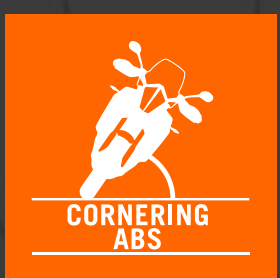
Advanced Rider Aids



CTC (Cornering Traction Control) Ensures optimal traction even when leaned.



MTC (Motorcycle Traction Control) optimal traction on all terrains.



Cornering ABS & Offroad ABS for superior braking confidence.



3 Ride Modes Adapt to any terrain with Rain, Street or Sport –delivering an on-demand riding experience.



Cruise Control ensures relaxed long-distance riding.



High-intensity LED projector Headlamp (Both Models)

The ultra-bright LED projector headlamp delivers **superior illumination, in all conditions.**

KTM CONNECT WITH 5" TFT DISPLAY (Both Models)

5" Full-Color TFT Display integrates with KTM connect for **turn-by-turn navigation, calls, and music control.**

COMFORT & ERGONOMICS

Adventure Touring Optimized Seat

KTM 390 ADVENTURE:

830mm seat height, Designed to adapt to riders of all sizes, delivering all-day comfort.

KTM 390 ADVENTURE X:

Lower 825mm seat height, making it more accessible and confidence-inspiring.



Grippy Footpegs with Removable Rubber Inserts

Optimized for rider control and **long-haul touring comfort in varied conditions.**

Adjustable Levers

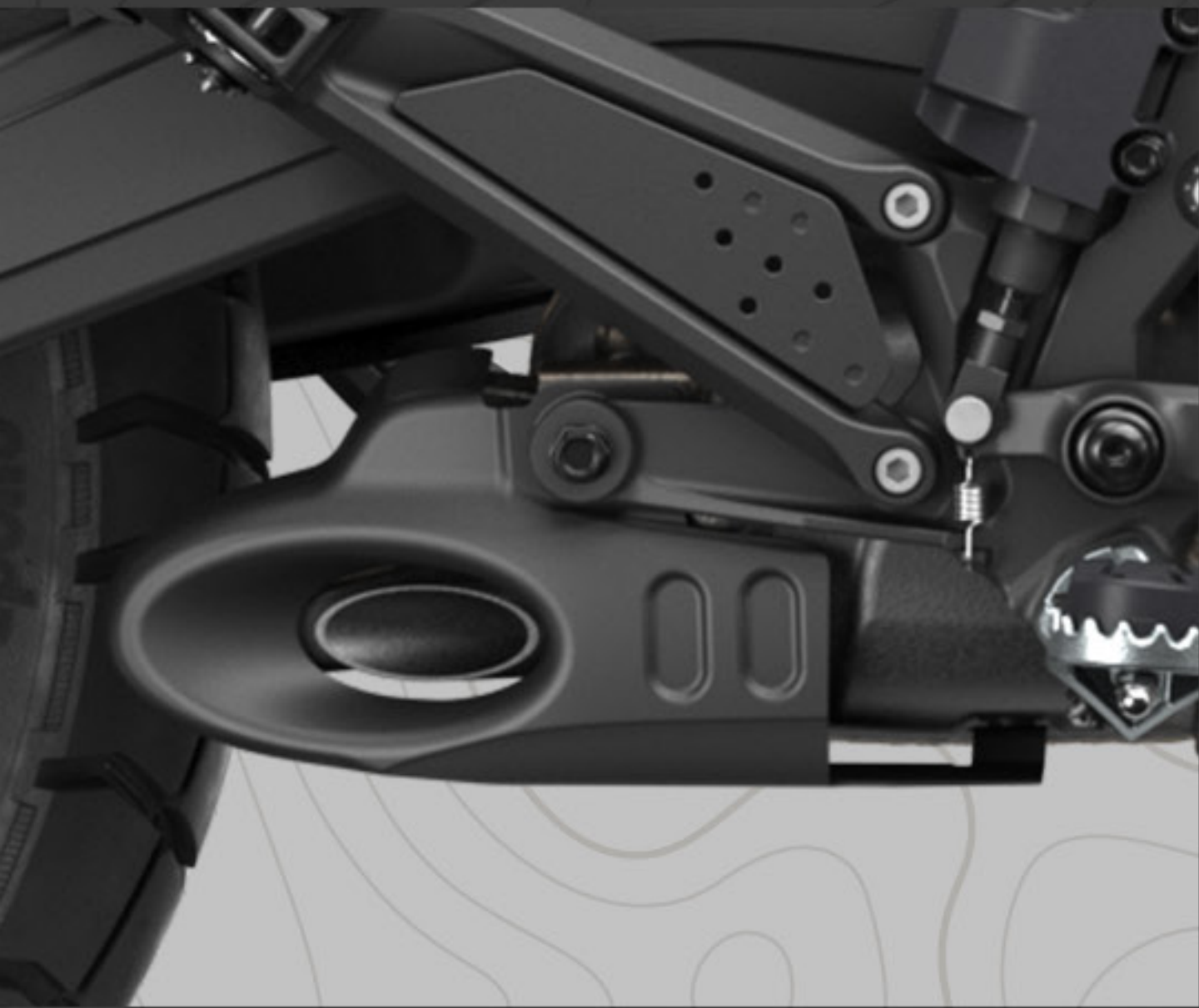
Customizable brake and clutch levers for a **personalized riding experience.**

Aerodynamically Tuned Windshield

minimizes wind buffeting while offering clear visibility, ensuring comfort on long tours.



ADVENTURE-READY FEATURES



High-Mounted Underbelly Exhaust

Increased ground clearance
for better protection
and handling.

14.5L Fuel Tank – More Miles, Less Stops

Ensures extended range
for long adventurous tours
without frequent refueling.



Lightweight Trellis Frame for Maximum Stability

Ensures nimble handling,
high-speed stability, and durability,
making the KTM 390 ADVENTURE
agile on-road and off-road.



SPECIFICATIONS AT A GLANCE

FEATURES	KTM 390 ADVENTURE	KTM 390 ADVENTURE X
Engine Type	4-Stroke, Single Cylinder, DOHC	
Displacement	398.63 cc	
Bore / Stroke	89 mm x 64 mm	
Power	46 PS @ 8500 rpm	
Torque	39 Nm @ 6500 rpm	
Fuel Injection	Electronic Fuel Injection (EFI)	
Lubrication	Forced, Wet Sump	
Cooling	Liquid Cooled	
Compression Ratio	12.71:1	
Front Suspension	WP APEX USD open-cartridge forks, 43 mm diameter, 200mm travel Fully adjustable for Compression and Rebound damping (30-steps)	WP APEX USD forks, 43 mm diameter, 200mm travel
Rear Suspension	WP APEX Monoshock, 205mm wheel travel Adjustable for Rebound damping (20-clicks) and Preload (10 steps)	WP APEX Monoshock, 205mm wheel travel Adjustable for Preload (10 steps)
Instrument Cluster	5" TFT Display with KTM Connect	
Rider Aids	Cornering MTC , Quickshifter+, 3 Ride modes , Cruise Control , Cornering ABS , Off-road ABS, 5" TFT Display, Ride-by-wire, All LED lighting with LED projector headlamps, Bluetooth connectivity with Navigation.	
Frame	Split Trellis Frame	
Wheels	21"/17" Tubeless Spoke	19"/17" Tubeless Alloy
Front Brake	320mm Disc with Floating Caliper	
Rear Brake	240mm Disc with Floating Caliper	
Fuel Tank Capacity	14.5L	
Ground Clearance	237mm	228mm
Seat Height	830mm	825mm
Kerb Weight	182 kg	181 kg
Starter / Battery	Electric Starter / 12V 8Ah	
Headlight	LED Projector	
Colour Options	Electronic Orange, Ceramic White	

COLOR OPTIONS



KTM 390 ADVENTURE
Electronic Orange

KTM 390 ADVENTURE
Ceramic White



KTM 390 ADVENTURE X
Electronic Orange

KTM 390 ADVENTURE X
Ceramic White



#ADVENTUREMORE

FIND YOUR ADVENTURE!

KTM 390 ADVENTURE is the most capable touring & off-road motorcycle
KTM 390 ADVENTURE X is the perfect entry into the world of adventure touring.



BOOK NOW



 [@ktm_india](#)  [@ktmproxp](#)  [@indiaktm](#)  [www.ktmindia.com](#)

*VISUALS & SPECIFICATIONS ARE MARKET DEPENDENT